

## SMACF10xx Rack-Mount Ears

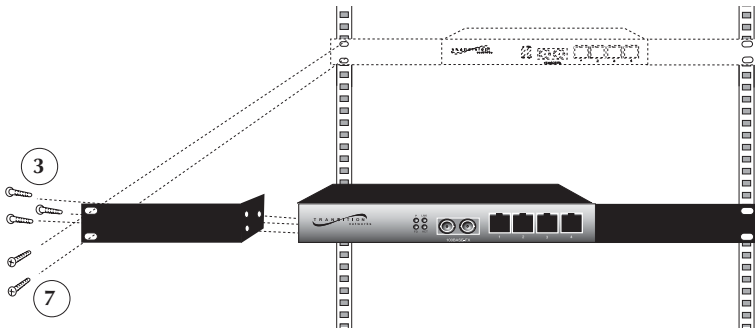
### SMACF-RME

# INSTALLATION GUIDE

TRANSITION Networks provides optional mounting brackets (ears) for installing SMACF10xx series *Reporting Unit* or *Management Unit* Management Aggregation Converters in a standard 19-inch rack.

To install the SMACF10xx Management Aggregation Converter in the site rack:

1. Locate six (6) mounting bracket screws (*provided*) for each SMACF10xx Management Aggregation Converter to be installed.
2. Align mounting bracket against side of SMACF10xx Management Aggregation Converter so that SMACF10xx Management Aggregation Converter installation holes are visible through mounting bracket installation holes.
3. Using Phillips screwdriver, install three (3) screws through mounting bracket into installation holes on side of SMACF10xx Management Aggregation Converter.



4. Repeat steps 2 and 3 for second mounting bracket.
5. Locate four (4) screws (*not provided*) and optional clip-nuts (*not provided*) for each SMACF10xx Management Aggregation Converter to be installed.
6. Carefully align SMACF10xx Management Aggregation Converter at secure and level position between the 19-inch site rack mounting rails.

**WARNING: Mount SMACF10xx Management Aggregation Converter evenly and securely in rack. Failure to observe this warning could allow the SMACF10xx Management Aggregation Converter to fall, resulting in equipment damage and/or possible injury to personnel.**

7. Install two (2) screws through right mounting bracket into right mounting rail and two (2) screws through left mounting bracket into left mounting rail, using clip nuts to secure if necessary.