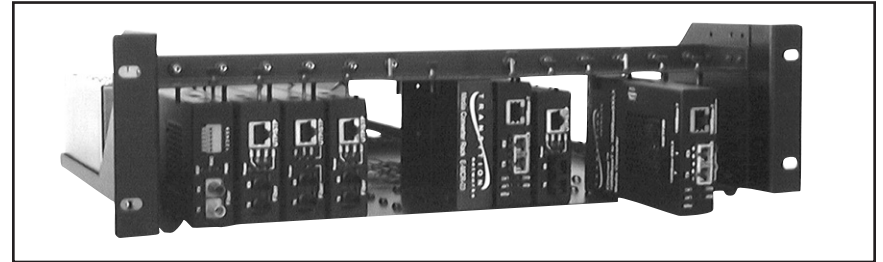


E-MCR-04 Media Converter Rack User's Guide

Transition Networks E-MCR-04 series media converter rack provides space and



power in a rack-mountable chassis for twelve (12) separate and independent Transition Networks stand-alone media converters, each with power requirements of 12 VDC.

NOTE: The E-MCR-04 media converter rack is intended for the installation of media converters designed and built only by Transition Networks.

Part Number	Description
E-MCR-04	Provides installation space for up to twelve (12) Transition Networks stand-alone media converters that require an external power supply and with dimensions approximately 3.0 in. high x 1.0 in. wide x 4.7 in. deep (76 mm x 25 mm x 119 mm).

Installation	2
Maintenance	6
Technical Specifications	7
Compliance Information	8

Installation

Table-Top Installation

The E-MCR-04 is shipped with nine (9) rubber feet for optional installation on a table or other flat, stable surface in a well-ventilated area. If table-top installation is desired, remove the rubber feet from the card and place them on the bottom of the chassis. Distribute the feet evenly so that the chassis is level when placed upright.

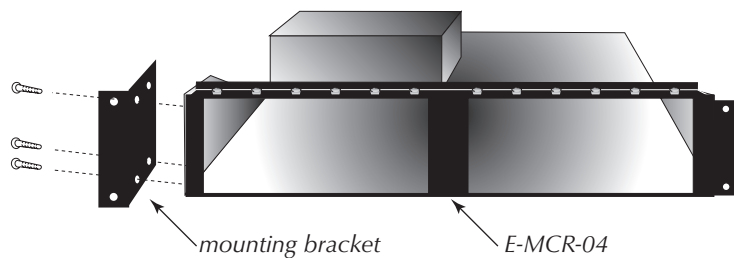
Site Rack Installation

The E-MCR-04 is also shipped with installation brackets and attachment screws for installation on a standard site rack.

WARNING: Carefully mount the E-MCR-04 Media Converter Rack on the site rack to prevent creating a hazardous condition due to uneven mechanical loading. Failure to observe this warning could allow the Media Converter Rack to fall, resulting in injury to personnel and/or equipment damage.

Attach the Mounting Brackets to the E-MCR-04

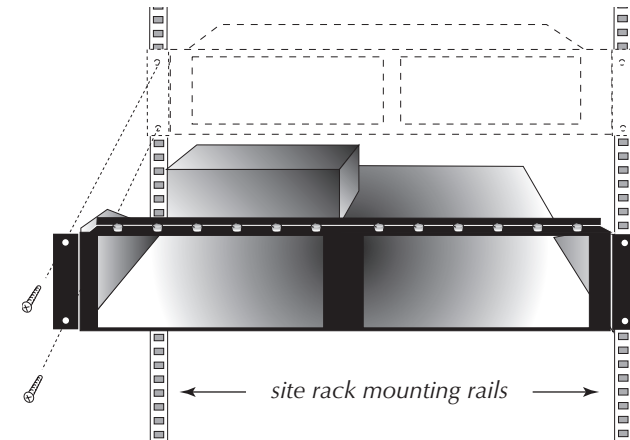
1. Locate the two (2) mounting brackets and the six (6) screws (*PROVIDED*) for each E-MCR-04 Media Converter Rack to be installed.
2. Align each mounting bracket against the side of the E-MCR-04 so that the E-MCR-04 installation holes are visible through the mounting bracket installation holes.
3. Use a Phillips screwdriver to install three (3) screws through each mounting bracket into the side of the E-MCR-04.



Installation -- Continued

Attach the E-MCR-04 to the Site Rack

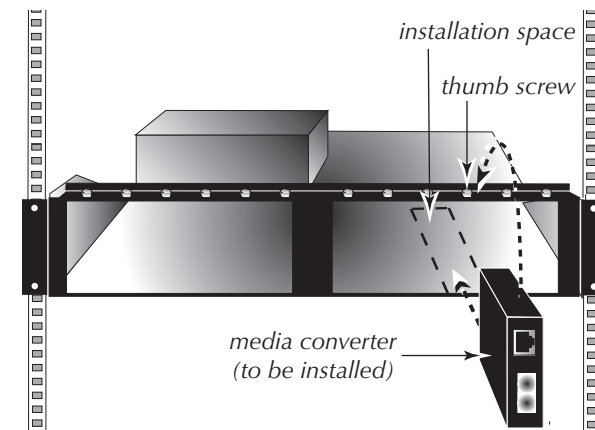
4. Locate four (4) screws (*provided*) and optional clip-nuts (not provided) for each E-MCR-04 Media Converter Rack to be installed.



5. Carefully align the E-MCR-04 at a level position between the site rack mounting rails.
6. Install two (2) screws through the right front bracket into the right site rack mounting rail and two (2) screws through the left front bracket into the left site rack mounting rail, using clip nuts to secure if necessary.

Install the Media Converter(s)

7. Align the media converter within the installation space at the front of the E-MCR-04 Media Converter Rack and carefully slide it into place.
8. Tighten the thumb screw located directly above the media converter to secure it to the E-MCR-04.



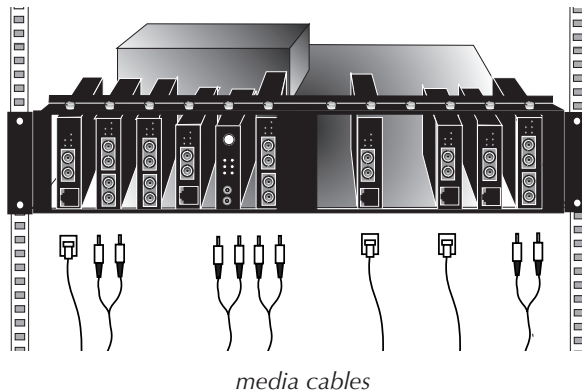
Installation -- Continued

Install the Media Cables

CAUTION: Do not use the Media Converter Rack chassis to provide earth ground for any 10BASE-2 cable shield connected to any installed media converter. Failure to observe this caution could cause the Media Converter Rack and all installed media converters to fail.

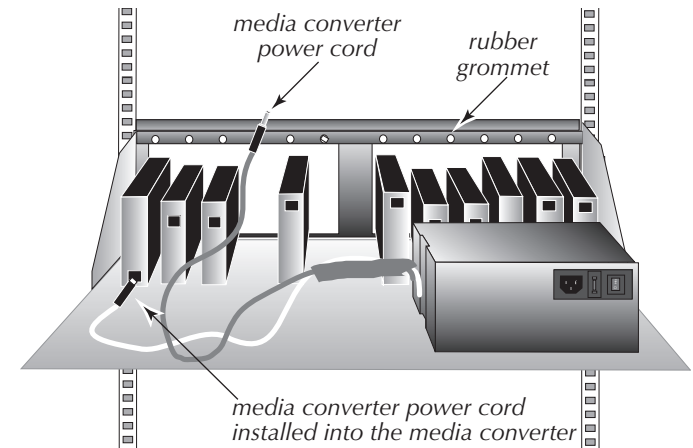
CAUTION: Ensure that both input and output connectors on each media converter are connected to cables carrying the same network protocol and the same network speed. Failure to observe this caution could cause data transfer to fail.

9. Refer to the documentation that comes with each media converter to determine the correct cable specifications and distances for each media converter.
10. Connect the input and output media cables to the individual media converter(s).



Connect the Media Converter(s) to Power

11. Locate the media converter power cord (shipped with its connector secured in a rubber grommet located above the media converter installation slot).
12. Remove the media converter power connector from the rubber grommet and install it in the power receptacle at the back of the media converter.

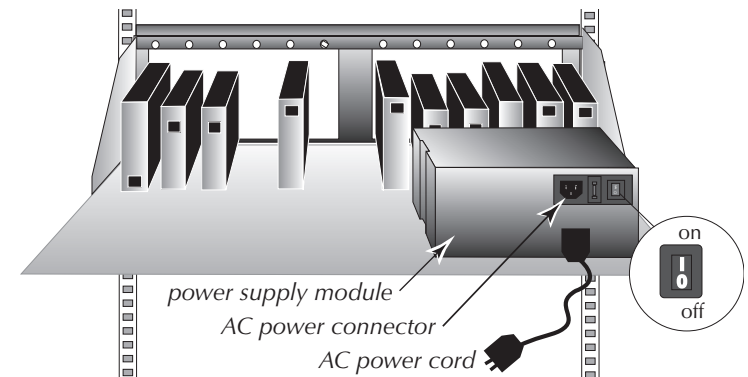


Installation -- Continued

Power the E-MCR-04

NOTE: Ensure that the available power circuits are not overloaded and that the rack mounting equipment is reliably grounded.

13. Connect the female end of power cord to the E-MCR-04.
14. Connect the male end of the power cord to the external AC outlet.
15. Set the ON/OFF switch to "1".

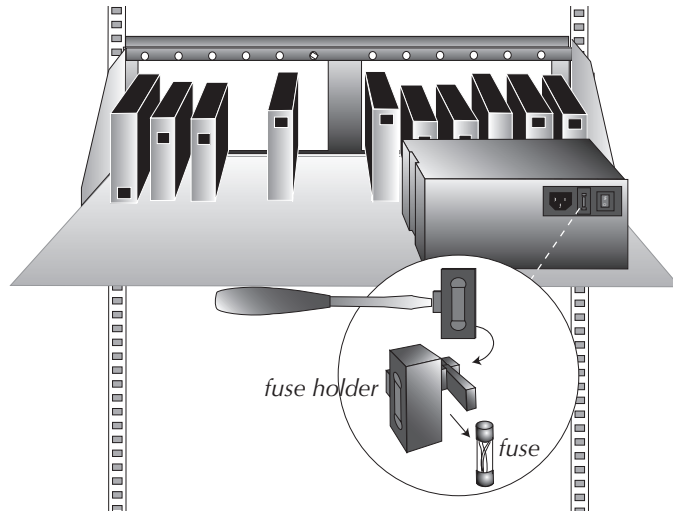


NOTE: The power LED indicators on the front of the installed media converters will illuminate when installation is complete.

Maintenance

Replace the Fuse

1. Set the On/Off switch to "0".
2. Remove the power cord from the AC wall socket.



3. Insert a small flat blade screwdriver into the groove on the front inside edge of the fuse holder and carefully pry the fuse holder from the power supply module.
4. Carefully remove the fuse from the fuse holder.
5. Install the same size and rating replacement fuse into the fuse holder.
6. Return the fuse holder and fuse to the installation position in the power supply module and snap the fuse holder into place.
7. Connect the power cord to the external AC outlet.
8. Set the ON/OFF switch to "1".

NOTE: The power LED indicators on the front of the installed media converters will illuminate when installation is complete.

Technical Specifications

For use with Transition Networks Model E-MCR-04 or equivalent.

Standards:	UL listed, FCC & CISPR Class A; CE Mark
Dimensions:	17.0" x 15.0" x 5.0" (432 mm x 381 mm x 127 mm)
Weight:	8 lbs. (3.6 kg) (approximately)
Power Requirements:	Ensure that the available power circuits are not overloaded and that the media converter rack is reliably grounded.
Input Voltage:	85 to 264 VAC
Input Frequency:	47 to 63 Hz
Output Voltage:	12 VDC
Output Current:	600 mA per port maximum
Environment:	Tmra* 0 to 50°C (32 to 122°F) Storage Temp: -25 to 85°C (-13 to 185°F) Humidity: 10 to 90%, non condensing Altitude: 0 to 10,000 feet

Warranty: Lifetime

*Manufacturer's rated ambient temperature.

	Declaration of Conformity
	<p>Name of Mfg: Transition Networks 6475 City West Parkway, Minneapolis MN 55344 U.S.A.</p> <p>Model: E-MCR-04 Media Converter</p> <p>Part Number: E-MCR-04,</p> <p>Regulation: EMC Directive 89/336/EEC</p> <p>Purpose: To declare that the <i>E-MCR-04</i> to which this declaration refers is in conformity with the following standards. EN 55022:1998 A1:2000 Class A; EN 55024:1998; FCC Part 15 Subpart B; UL 1950, EN 61000-3-2:1995+A14:2000; EN61000-3-3:1995</p> <p>I, the undersigned, hereby declare that the equipment specified above conforms to the above Directive(s) and Standard(s).</p> <p> Stephen Anderson, Vice-President of Engineering</p>
	<p>July, 2007 Date</p>

Compliance Information

UL Listed, C-UL Listed (Canada), CE Mark

FCC Regulations

This equipment has been tested and found to comply with the limits for a Class A digital device, pursuant to part 15 of the FCC rules. These limits are designed to provide reasonable protection against harmful interference when the equipment is operated in a commercial environment. This equipment generates, uses, and can radiate radio frequency energy and, if not installed and used in accordance with the instruction manual, may cause harmful interference to radio communications. Operation of this equipment in a residential area is likely to cause harmful interference, in which case the user will be required to correct the interference at the user's own expense.

Compliance Information -- Continued

Canadian Regulations

This digital apparatus does not exceed the Class A limits for radio noise for digital apparatus set out on the radio interference regulations of the Canadian Department of Communications. Le présent appareil numérique n'émet pas de bruits radioélectriques dépassant les limites applicables aux appareils numériques de la Class A prescrites dans le Règlement sur le brouillage radioélectrique édicté par le ministère des Communications du Canada.

European Regulations

Warning This is a Class A product. In a domestic environment this product may cause radio interference in which case the user may be required to take adequate measures.

Achtung! Dieses ist ein Gerät der Funkstörgrenzwertklasse A. In Wohnbereichen können bei Betrieb dieses Gerätes Rundfunkstörungen auftreten, in welchen Fällen der Benutzer für entsprechende Gegenmaßnahmen verantwortlich ist.

Attention! Ceci est un produit de Classe A. Dans un environnement domestique, ce produit risque de créer des interférences radioélectriques, il appartiendra alors à l'utilisateur de prendre les mesures spécifiques appropriées.



CAUTION: RJ connectors are NOT INTENDED FOR CONNECTION TO THE PUBLIC TELEPHONE NETWORK. Failure to observe this caution could result in damage to the public telephone network.

Der Anschluss dieses Gerätes an ein öffentliches Telekommunikationsnetz in den EG-Mitgliedstaaten verstößt gegen die jeweiligen einzelstaatlichen Gesetze zur Anwendung der Richtlinie 91/263/EWG zur Angleichung der Rechtsvorschriften der Mitgliedstaaten über Telekommunikationsendeinrichtungen einschliesslich der gegenseitigen Anerkennung ihrer Konformität.



In accordance with European Union Directive 2002/96/EC of the European Parliament and of the Council of 27 January 2003, Transition Networks will accept post usage returns of this product for proper disposal. The contact information for this activity can be found in the 'Contact Us' portion of this document.

Technical Support

Technical support is available at techsupport@transition.com
US and Canada: 1-800-260-1312 (24 hours) International: 00-1-952-941-7600 (24 hours)

Chat live via the Web with Transition Networks Technical Support.
Log onto www.transition.com and click the Transition Now link.

Transition Networks provides seminars via live web-based training.
Log onto www.transition.com and click the Learning Center link.

Transition Networks, 6475 City West Pkwy, Minneapolis, MN 55344, USA telephone: 952-941-7600, toll free: 800-526-9267, fax: 952-941-2322

Trademark Notice

All trademarks and registered trademarks are the property of their respective owners.

Copyright Restrictions

© 2004 Transition Networks.

All rights reserved. No part of this work may be reproduced or used in any form or by any means - graphic, electronic, or mechanical - without written permission from Transition Networks.

Printed in the U.S.A.

33297.B
